



The Multi-Sided Probe (MSP) brings new advancements to an already proven design. Now integrated with the OPTOTRAK PROseries, the MSP addresses the growing demand for high-speed, real-time measurement solutions that track an object's 3D position (XYZ) and orientation (roll, pitch, and yaw). The MSP has a convenient mounting system that requires no tools, allowing it to be easily and repeatedly attached to various objects for greater utility. The pre-calibrated, multi-faceted target configuration allows the system to continuously maintain tracking as the MSP rotates a full 360 degrees about all three axes. This unique design offers unlimited range of motion without any off-angle limitations. NDI's Optical Tracker can do more than any other technology with its ability to track the complex 6DOF motion of many objects simultaneously.

Track

Simply attaching the MSP to any object instantly provides high-speed tracking of complex motion over time. Measure positions, displacements, orientations, deformations, angles, velocities, vibrations, accelerations, and traveled paths.

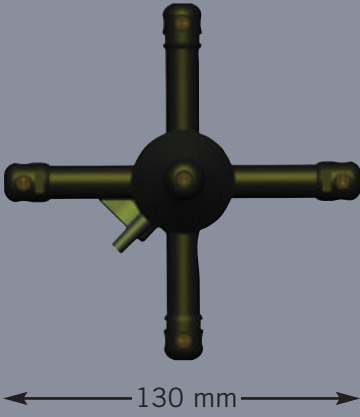
Measure

Simply attaching a stylus to the MSP creates a lightweight contact probe with no off-angle restrictions.

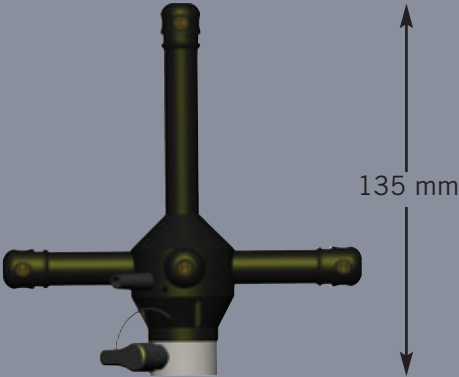
Scan

Simply attaching the MSP to a laser scanner enables true handheld capability. The MSP's unrestricted range of motion provides uninterrupted scanning for greater measurement throughput.

Top View



Side View



SPECIFICATIONS

Dimensions	135 mm x 130 mm x 130 mm
Weight	125 g
Targets	25
Acceptance Angle	
Yaw	Unlimited
Pitch	Unlimited
Roll	Unlimited

All weights and dimensions are approximate and for the MSP only.

TRACK



MSP on robot

MEASURE



MSP with stylus

SCAN



MSP attached to scanner



NDI

CANADA
 Tel: +1 (877) 634-6340
 Email: info@ndigital.com

NDI EUROPE GmbH

GERMANY
 Tel: + 49 (77 32) 939 19 00
 Email: info@ndigital.com

NDI ASIA PACIFIC

HONG KONG
 Tel: + (852) 2802 2205
 Email: info@ndigital.com

www.ndi.ca